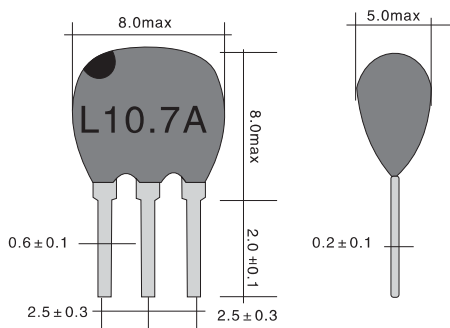


Piezo-Electric MF Series

10.7M Series of Ceramic Filter for FM 调频用10.7M系列陶瓷滤波器

Dimension (尺寸)

Standard Rule (色标)



Steps 分档	D	B	A	C	E
Color 色标	Black 黑	Blue 蓝	Red 红	Orange 黄	White 白
Center Frequency (MHz) 中心频率	10.64 ±0.03	10.67 ±0.03	10.70 ±0.03	10.73 ±0.03	10.76 ±0.03

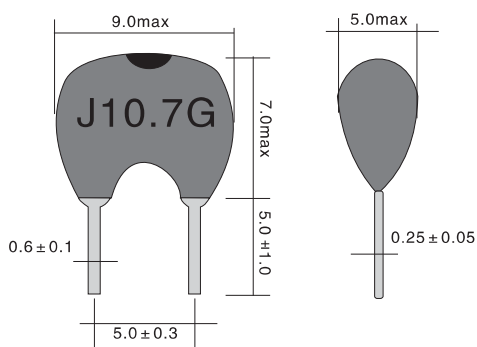
◆ Principal Parameters(主要参数)

Part No. 型号	3dB Band Width (KHz) 3分贝带宽	20dB Band Width (KHz) 20分贝带宽	Insertion Loss (dB) 插入损耗	Spurious Response (dB) 寄生损耗	Input /Output Impedance (Ω) 输入/输出阻抗
LT10.7MA20	330 ± 50	≤ 680	≤ 6	≥ 30	330
LT10.7MA5	280 ± 50	≤ 650	≤ 6	≥ 30	330
LT10.7MS2	230 ± 50	≤ 600	≤ 6	≥ 40	330
LT10.7MS3	180 ± 40	≤ 520	≤ 7	≥ 40	330
LT10.7MJA	150 ± 40	≤ 380	≤ 6.5	≥ 35	330
LT10.7MHY	110 ± 30	≤ 350	≤ 9	≥ 30	330
LT10.7MS3A10	180 ± 40	≤ 470	≤ 5.0	≥ 35	330
LT10.7MJA10	150 ± 40	≤ 360	≤ 6.5	≥ 35	330
LT10.7MA19	Fn ± 175	≤ 950	≤ 5	≥ 20	470

10.7M Series of Discriminator for FM 调频用10.7M系列鉴频器

Dimension (尺寸)

Standard Rule (色标)



Steps 分档	D	B	A	C	E
Color 色标	Black 黑	Blue 蓝	Red 红	Orange 黄	White 白
Center Frequency (MHz) 中心频率	10.64 ±0.03	10.67 ±0.03	10.70 ±0.03	10.73 ±0.03	10.76 ±0.03

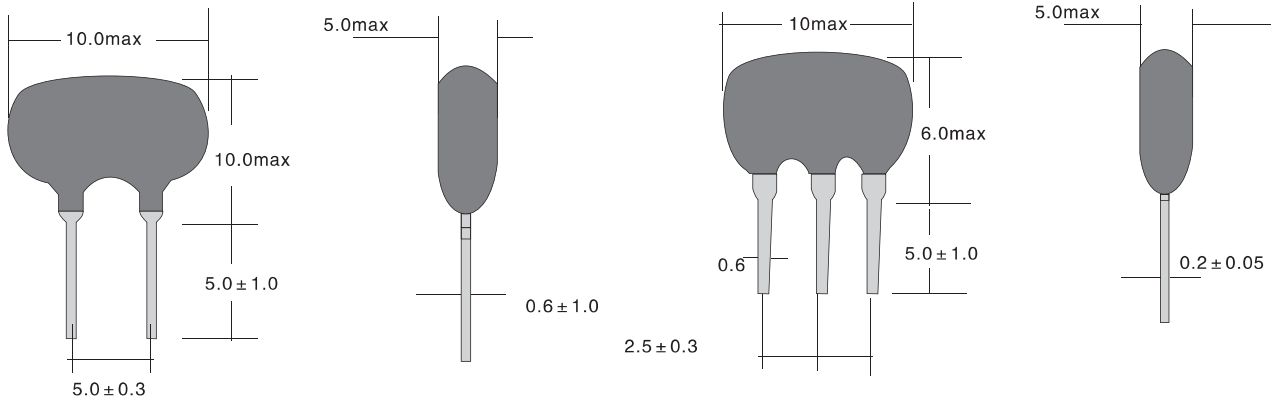
◆ Principal Parameters(主要参数)

Part No. 型号	Demodulation Output at fo (mv) min Fo点鉴频输出	Demodulation Factor at fo (%) max fo点失真度	Demodulation 3dB Band Width (KHz)(min) 3dB带宽	Applicable IC 适用IC
JT10.7MG1	25	1.0	345	CX-2009,CX-20111
JT10.7MG3	650	1.0	± 150	TA7303P,TA7130,μ PC1028H,LA1150
JT10.7MG16	60-90	0.9	300	TA8122AN
JT10.7MG18	60-90	0.9	300	TA8132N
JT10.7MG33	45	0.7	250	TA2007
JT10.7MG80	65	1.0	300	TA2104AFN
JT10.7MG82	90	0.8	320	TA2099N
JT10.7MG92	60	1.0	300	TA2132P
JT10.7MC1	35	1.0	242	CXA1019M,CX-20091
JT10.7MC40	40	0.7	130	TEA5710

Note: ① Fo available on request. 频率可根据用户要求制造。 ② Other parameters available on request. 其它参数指标可按照用户要求设计

Ceramic Resonator ZTA/ZTT Series 陶瓷谐振器ZTA/ZTT系列

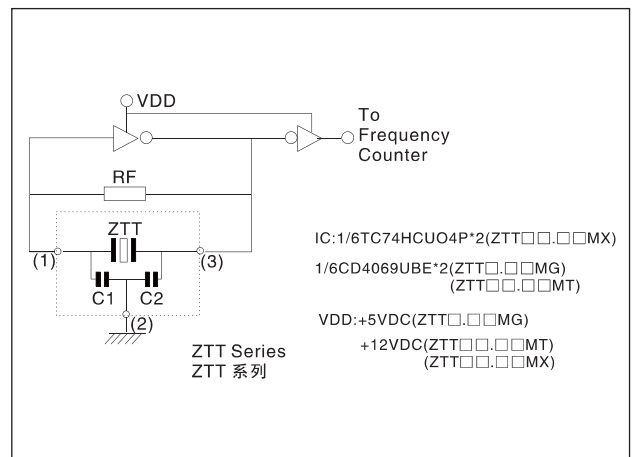
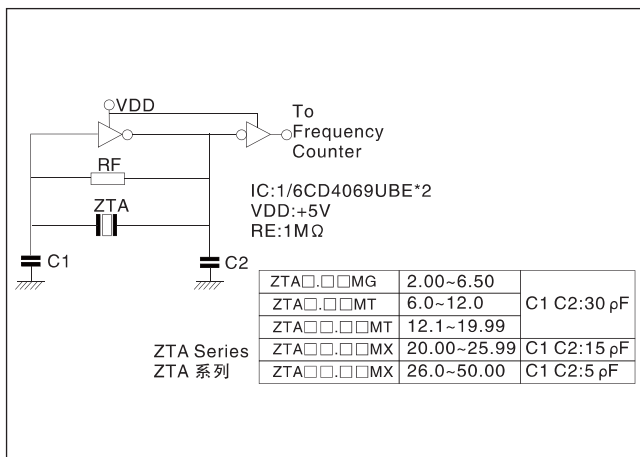
Dimension (尺寸)



◆ Principal Parameters(主要参数)

Part No. 型号	Frequency Range 频率范围 (MHz)	Frequency Accuracy 频率精度 (25°C)	Temperature Stability 温度稳定性 (-20~+80°C)	Aging for 10 Years 老化性 (10年)	Resonant Resistance 谐振阻抗 (Ω)max.	Withstanding Voltage 标准电压 (5 Sec max.)	Isolation Resistance 绝缘电阻 (Ω) max.
ZTA□.□□MG	2.00~2.99			±0.3%	80	100V DC	5 × 10 ⁸
ZTA□.□□MG	3.00~3.49			±0.3%	50	100V DC	
ZTA□.□□MG	3.50~4.99	±0.5%	±0.3%	±0.3%	30	100V DC	
ZTA□.□□MT	5.00~6.99			±0.3%	30	100V DC	
ZTA□□.□□MT	7.00~13.0			±0.3%	25	100V DC	
ZTA□□.□□MX	13.01~50.0			±0.3%	55	100V DC	
ZTT□.□□MG	2.00~2.99			±0.3%	80	100V DC	
ZTT□.□□MG	3.00~3.49			±0.3%	50	100V DC	
ZTT□.□□MG	3.50~4.99	±0.5%	±0.3%	±0.3%	30	100V DC	
ZTT□.□□MT	5.00~6.99			±0.3%	30	100V DC	
ZTT□□.□□MT	7.00~13.00			±0.3%	25	100V DC	
ZTT□□.□□MX	13.01~50.0			±0.3%	55	100V DC	

Test Circuit (测试电路)



Note: ① Fo available on request. 频率可根据用户要求制造。 ② Other parameters available on request. 其它参数指标可按照用户要求设计