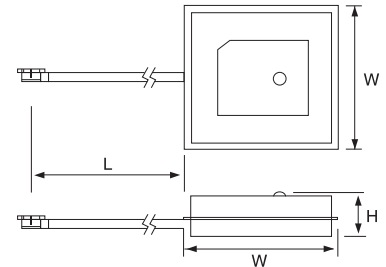


GPS Internal Active Module

-For GPS Hold, Car Navigation System, GPS PDA and so on.
 -适用于GPS手持机、车载GPS导航、GPS PDA等。

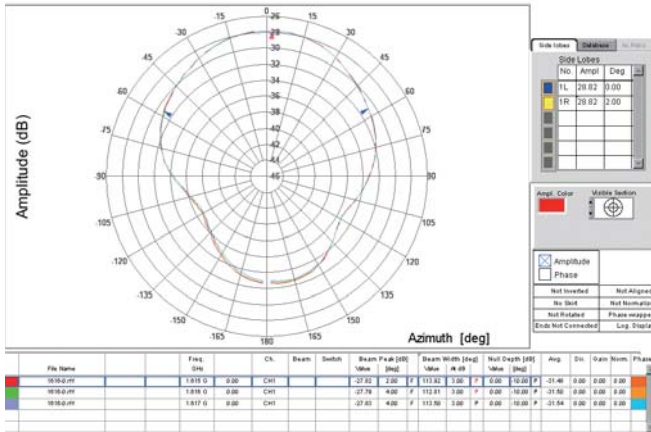


Dimension (尺寸) (Unit:mm)

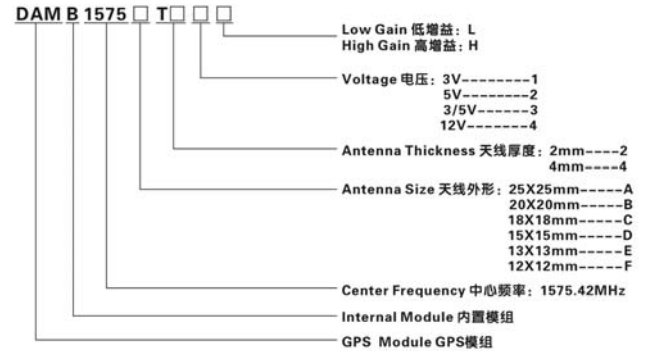


Part No. 型号	L(mm)	H(mm)	W(mm)
DAMBxxxxAT2/T4	100-150	5.8/7.8	27.5
DAMBxxxxBT2/T4	100-150	5.8/7.8	20.5
DAMBxxxxCT2/T4	100-150	5.8/7.8	20.0
DAMBxxxxDT2/T4	100-150	5.8/7.8	16.5
DAMBxxxxET2/T4	100-150	5.8/7.8	13.5
DAMBxxxxFT2/T4	100-150	5.8/7.8	12.5

RADIATION PATTERN(方向图)



GPS Internal Active Module(GPS内置模组)



Principal Parameters(主要参数)

Part No. 型号	Center Frequency (MHz) 中心频率(f ₀)	Gain 天线增益	LNA Gain 放大器增益	Total Gain 总增益	Noise Figure 噪声系数	Axial Ratio 轴比	I/O Impedance 输入输出阻抗	Voltage 工作电压	Current 工作电流
DAMB1575AT21/22	1575.42MHz	3dBic typ.	26dBic typ.	28dBic typ.	1.2 or 1.5dB max.	3.0dB typ.	50 Ω	DC3.0 ± 0.3V/5.0 ± 0.5V	13mA max.
DAMB1575AT41/42	1575.42MHz	3dBic typ.	26dBic typ.	28dBic typ.	1.2 or 1.5dB max.	3.0dB typ.	50 Ω	DC3.0 ± 0.3V/5.0 ± 0.5V	13mA max.
DAMB1575BT21/22	1575.42MHz	2dBic typ.	26dBic typ.	27dBic typ.	1.2 or 1.5dB max.	3.0dB typ.	50 Ω	DC3.0 ± 0.3V/5.0 ± 0.5V	13mA max.
DAMB1575BT41/42	1575.42MHz	2dBic typ.	26dBic typ.	27dBic typ.	1.2 or 1.5dB max.	3.0dB typ.	50 Ω	DC3.0 ± 0.3V/5.0 ± 0.5V	13mA max.
DAMB1575CT21/L/22L	1575.42MHz	1.5dBic typ.	26dBic typ.	26dBic typ.	1.2 or 1.5dB max.	3.0dB typ.	50 Ω	DC3.0 ± 0.3V/5.0 ± 0.5V	13mA max.
DAMB1575CT41/42	1575.42MHz	1.5dBic typ.	26dBic typ.	26dBic typ.	1.2 or 1.5dB max.	3.0dB typ.	50 Ω	DC3.0 ± 0.3V/5.0 ± 0.5V	13mA max.
DAMB1575DT21/22	1575.42MHz	1dBic typ.	26dBic typ.	25dBic typ.	1.2 or 1.5dB max.	3.0dB typ.	50 Ω	DC3.0 ± 0.3V/5.0 ± 0.5V	13mA max.
DAMB1575DT41/42	1575.42MHz	1dBic typ.	26dBic typ.	25dBic typ.	1.2 or 1.5dB max.	3.0dB typ.	50 Ω	DC3.0 ± 0.3V/5.0 ± 0.5V	13mA max.
DAMB1575ET21H/22H	1575.42MHz	0dBic typ.	18dBic typ.	18dBic typ.	1.2 or 1.5dB max.	3.0dB typ.	50 Ω	DC3.0 ± 0.3V/5.0 ± 0.5V	5mA max.
DAMB1575ET41H/42H	1575.42MHz	0dBic typ.	18dBic typ.	16dBic typ.	1.2 or 1.5dB max.	3.0dB typ.	50 Ω	DC3.0 ± 0.3V/5.0 ± 0.5V	5mA max.
DAMB1575RT41H/42H	1575.42MHz	0dBic typ.	26dBic typ.	25dBic typ.	1.2 or 1.5dB max.	3.0dB typ.	50 Ω	DC3.0 ± 0.3V/5.0 ± 0.5V	13mA max.
DAMB1575FT21/22	1575.42MHz	-1dBic typ.	26dBic typ.	24dBic typ.	1.2 or 1.5dB max.	3.0dB typ.	50 Ω	DC3.0 ± 0.3V/5.0 ± 0.5V	13mA max.
DAMB1575FT41/42	1575.42MHz	-1dBic typ.	26dBic typ.	24dBic typ.	1.2 or 1.5dB max.	3.0dB typ.	50 Ω	DC3.0 ± 0.3V/5.0 ± 0.5V	13mA max.

Note: 1) Other parameters available on request. (其它参数指标可按照用户要求设计)
 2) Polarization (极化方式): RHCP 3) Center Frequency Tolerance (中心频率公差): ± 1.023MHz